



# SITE LIGHT RENTALS

[WWW.LEDLIGHTGROUP.COM.AU](http://WWW.LEDLIGHTGROUP.COM.AU)

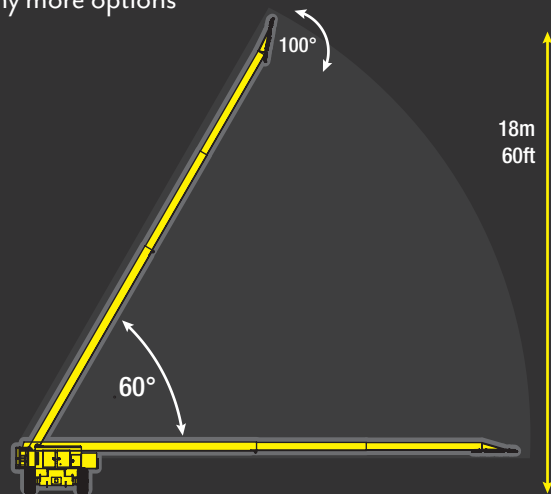
## LED LIGHT JLED-18

The Remote Operated, mobile Jonker Light JL-18, essential to mine safety!

The feature packed 18 metre Jonker LED Light is brilliant with a longer reach and greater clearance than any of the competitors, providing 180 LUX at a distance of 80 metres ensuring superior visibility with a crisper light over a greater area. With this capacity, in certain applications, the Jonker Light has been known to replace up to 8 standard lights. Mine certified to any standard required, the JLED-18 dramatically decreases costs by reducing labour requirements which in turn limits the exposure to any potential LTI's coupled with a fuel burn rate of only 1.9 Litres per hour.

### KEY FEATURES

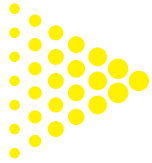
- Limited shadows and no glare
- 400+ hours run time, 800L fuel tank
- 12 lights (up to 1,050 LUX)
- 18m vertical reach, 15m horizontal reach
- Full wireless remote control 4x4 Driven and Track Driven Units
- Auto Start/Stop system via photo cell
- 100° Hydraulic Light tilt array
- 500hr Service Intervals
- 360° Mast Oscillation
- Many more options



P | 07 3294 6982

M | 0412 677 817

E | [CHRIS@LEDLIGHTGROUP.COM.AU](mailto:CHRIS@LEDLIGHTGROUP.COM.AU)



# SITE LIGHT RENTALS

WWW.LEDLIGHTGROUP.COM.AU

## JLED-18 LED LIGHT

### PERFORMANCE AND PRODUCTIVITY

Controls	Wireless Remote
Mast Rotation	360° Hydraulic
Fuel Burn	1.8L/hour
Illumination Span	Up to 1,050 LUX
Operating Hours	400 hours
Bulbs - Spot + Flood	130 Lumens per watt, 300W each flood light, 50,000-80,000hr life span.

### POWER

Platform Engine	Perkins or Deutz
Generator Make	Perkins or Deutz
Generator Output	24 Volt DC, 250amp or 461amp
Fuel Source	Diesel
Fuel Sight Glass	Yes

### MEASUREMENT AND MASS

Transport Height	2.8 metres
Transport Width	2.6 metres (at light head)
Transport Length	9.5 metres
Boom Height (extended)	18 metres
Overall Unit Weight	13 tonnes
Fuel Tank Capacity	400 Litres

### DRIVE

Tyre Size	15 19.5
Tyre Type	Solid filled
Drive Speed	6km/hour
Brakes	Hydraulic braking

### SAFETY FEATURES

- Fire Extinguisher, Operator Manual.
- Fully Mine Compliant.
- Wireless Remote Control with 50metre Radius.
- Main Battery Isolator.
- Genset and Drive Engine Starter Isolator.
- 3 x Emergency Stops - Work Motor and Generator.
- 12V Jumpstart Receptacle.

### WARRANTIES

12 Month Structural from date of purchase.

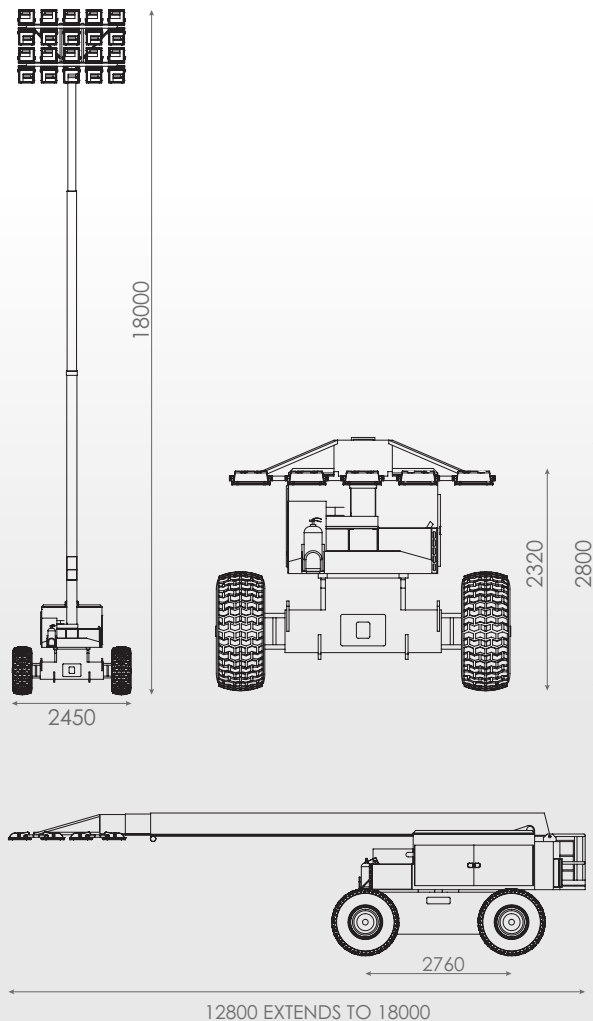
Operational Warranty on Generator Pack.

### OPTIONS

12 or 16 Head Lights.

Flood Light, Spot Light or Pencil Beam Variety.

18metre (60') Boom.



P | 07 3294 6982

M | 0412 677 817

E | CHRIS@LEDLIGHTGROUP.COM.AU