

Our Reference: S11090

18/08/2020

Australian Form Hire Pty Ltd T/As Manhole Form Hire
2 Freight St Yatala QLD 4207

Attention: Barry Kuster

Manhole Form Hire – Circular Manhole Formers

Dear Barry,

We advise that we have checked the above, as detailed in AMA sketch SK01 issue A (appended to this letter for reference), and found them to be structurally adequate as required, according to the following codes

AS 1170.1 (2002) Structural Design Actions – Permanent, imposed and other actions
AS 4100 (1998) Steel Structures

Yours Sincerely,



Milanovic Neale Consulting Engineers

Andrew Morrison

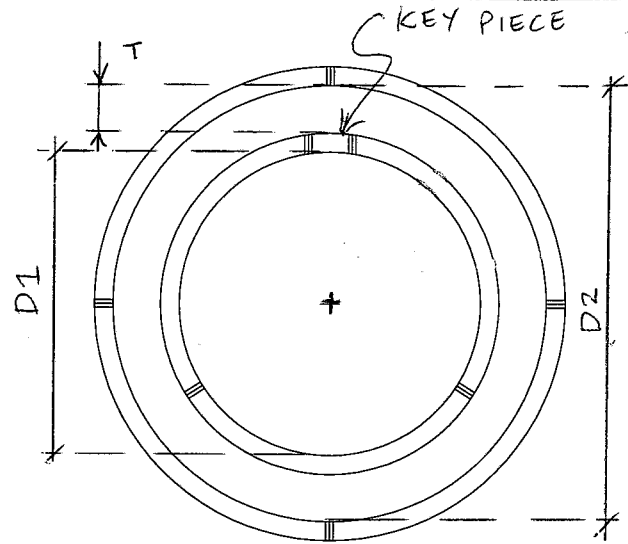
Senior Structural Engineer
amorrison@mnce.com.au

AMA 6163-SK01-A MANHOLE FORMERS

19/08/10 GW

SCALE 1:20@A4, ALL DIMS IN MM

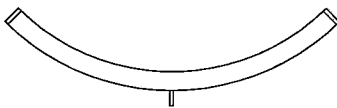
D1	X	INNER WIDTH	T	D2	Y	OUTER WIDTH
900	3	910	125	1150	4	905
1050	4	775	150	1350	4	1060
1200	4	900	150	1500	4	1180
1200	4	900	225	1650	4/6	1300/ 860
1350	4	1010	150	1650	4/6	1300/ 860
1350	4	1010	225	1800	6	945
1500	4	1125	150	1800	6	945
1500	4	1125	225	1950	6	1020
1800	6	910	225	2250	8	885
2000	6	1015	225	2450	8	960
2100	6	1065	225	2550	8	1000
2450	4	1850	250	2950	4	2310
3000	8	1150	300	3600	8	1415



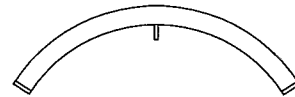
X NO INNER PIECES
(NOT INCLUDING KEY PIECES)

Y NO OUTER PIECES

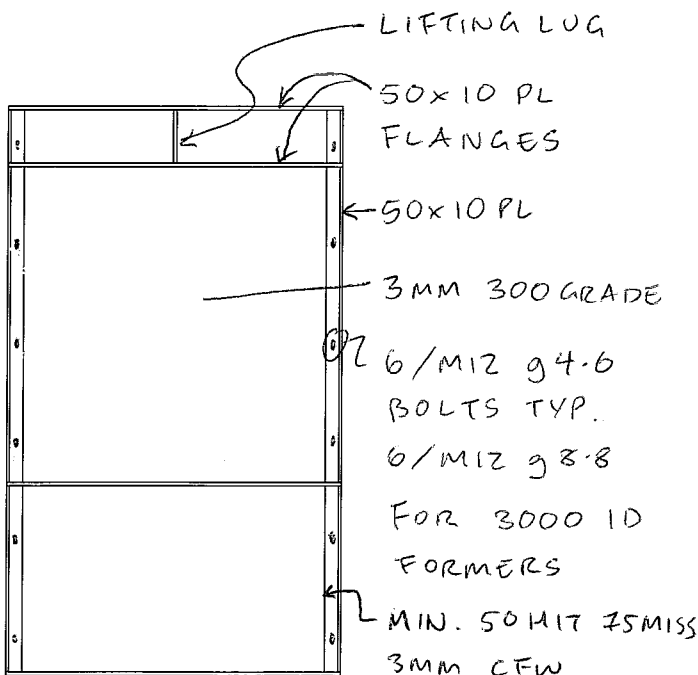
TYP PLAN



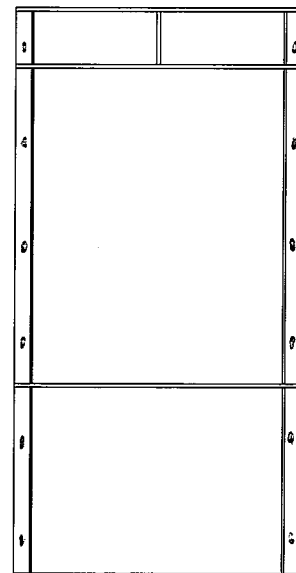
OUTER PLAN



INNER PLAN



OUTER ELEVATION



INNER ELEVATION