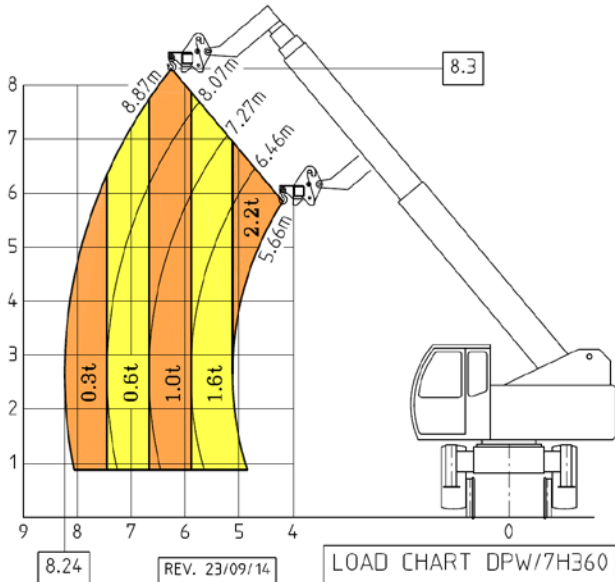


SENNEBOGEN 608MC Mk1 HI-RAIL with 8t RHINO HOOK  
 RATED CAPACITY OVER SIDE & 360° ON RAILS  
 COMPLIANT WITH AS1418.5-2013

OPERATING LIMITS:

MAXIMUM BOOM ELEVATION 50°  
 MAXIMUM BOOM LENGTH 8.87m  
 MAXIMUM GRADIENT 5°  
 MAXIMUM CANT 5°

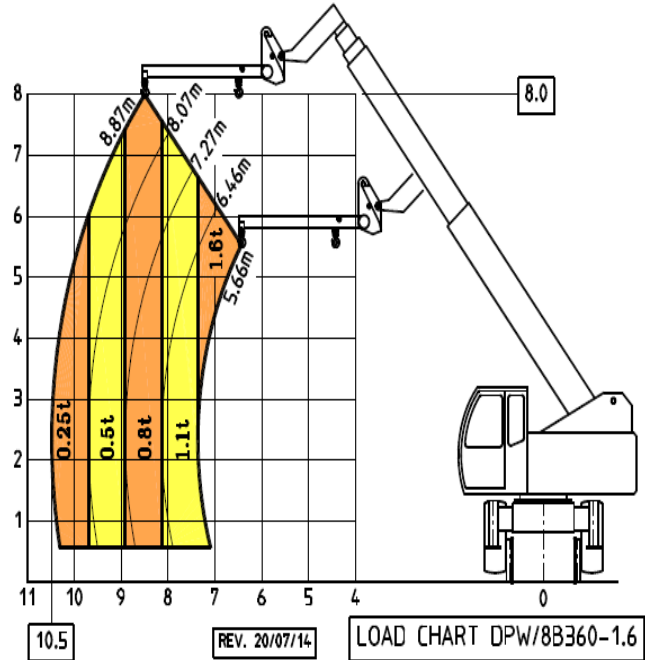
VALID FOR STANDARD  
 & BROAD GAUGE ONLY



SENNEBOGEN 608MC Mk2 HI-RAIL with 3m BOOM  
 RATED CAPACITY OVER SIDE & 360° ON RAILS  
 COMPLIANT WITH AS1418.5-2013

OPERATING LIMITS:

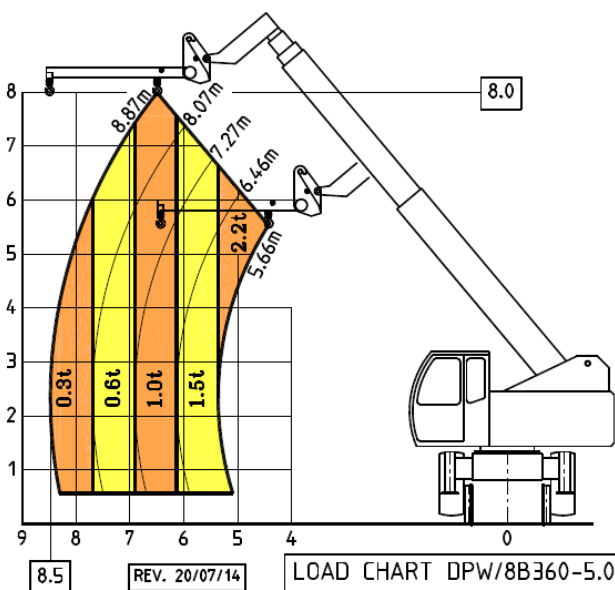
MAXIMUM BOOM ELEVATION 50°  
 MAXIMUM BOOM LENGTH 8.87m  
 MAXIMUM GRADIENT 5°  
 MAXIMUM CANT 5°



SENNEBOGEN 608MC Mk2 HI-RAIL with 3m BOOM  
 RATED CAPACITY OVER SIDE & 360° ON RAILS  
 COMPLIANT WITH AS1418.5-2013

OPERATING LIMITS:

MAXIMUM BOOM ELEVATION 50°  
 MAXIMUM BOOM LENGTH 8.87m  
 MAXIMUM GRADIENT 5°  
 MAXIMUM CANT 5°



SENNEBOGEN 608MC Mk2 HI-RAIL with 5.5t CAP. FORKS  
 RATED CAPACITY OVER SIDE & 360° ON RAILS  
 COMPLIANT WITH AS1418.5-2013

OPERATING LIMITS:

MAXIMUM BOOM ELEVATION 50°  
 MAXIMUM BOOM LENGTH 8.87m  
 MAXIMUM GRADIENT 5°  
 MAXIMUM CANT 5°

